



ARMET[®]
TOUCH WORLD



SMART TOUCH SWITCHES



GENTRIFICATION WITH TIME !

TOUCH CONTROL. RELAX.

COMPATIBLE WITH



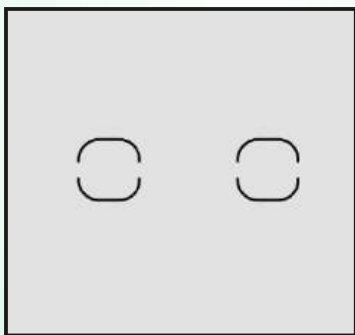


”

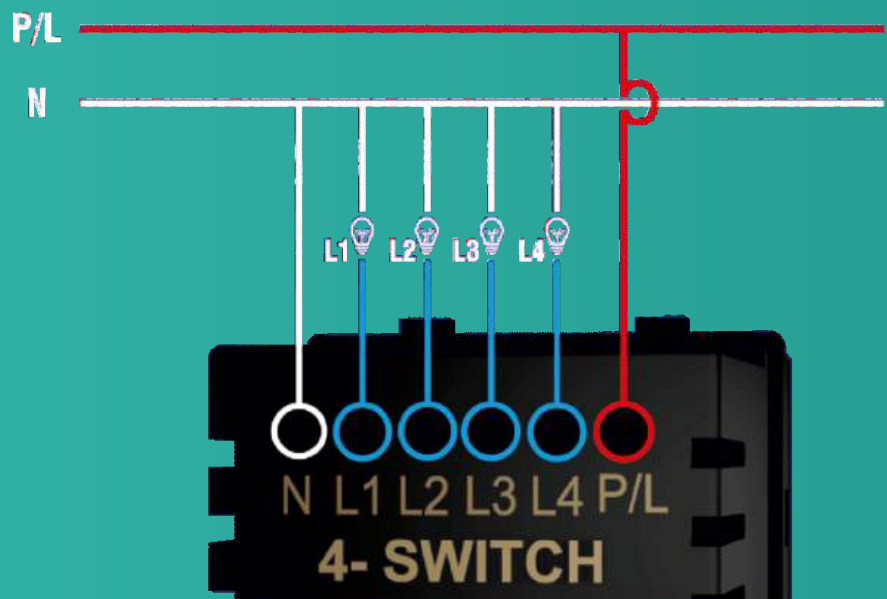
**A perfect blend of
INTELLIGENCE &
LUXURY**



BLACK COLLECTION



WHITE COLLECTION



2 - SWITCHES

TECHNICAL SPECIFICATION

Input Voltage:

230V~50/60Hz

Wireless Type:

Wi-Fi 2.4Ghz

(Signal Strength $\geq 75\%$)

Size:

2 Modular

Touch Surface ambient temp.:

30°C to 48°C

Working temp.:

-10°C to 70°C

Rated Load:

Inductive load

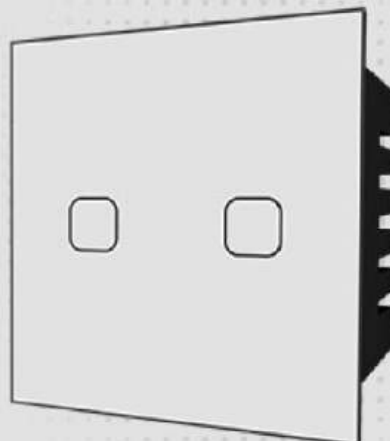
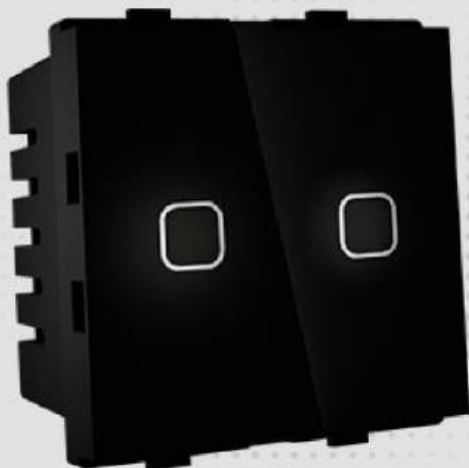
2000 w

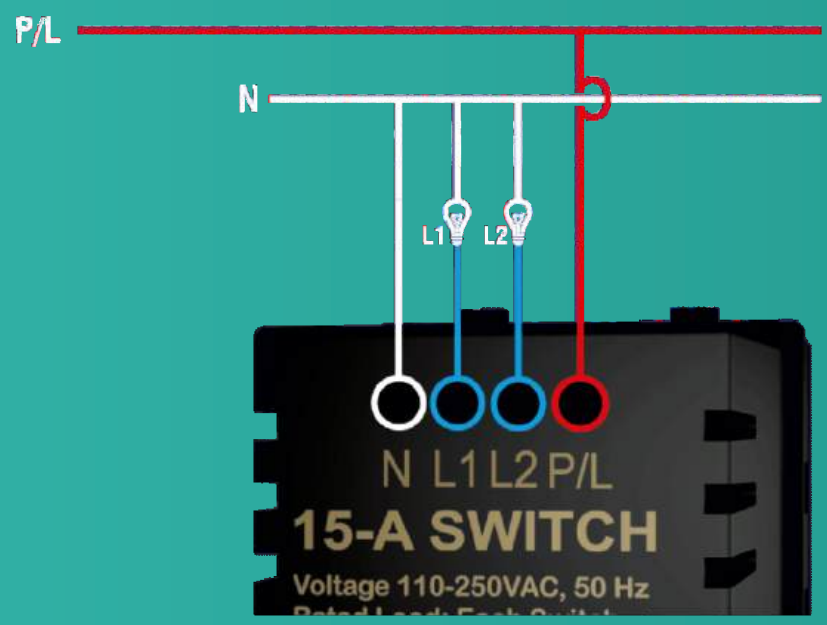
Approximate Weight:

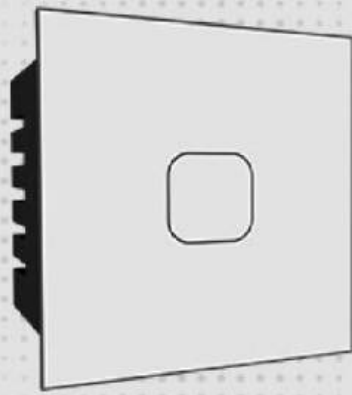
85gms

Maximum Dimension:

48mm*50mm*50mm







1 - SWITCHES

TECHNICAL SPECIFICATION

Input Voltage:

230V~50/60Hz

Wireless Type:

Wi-Fi 2.4Ghz

(Signal Strength $\geq 75\%$)

Size:

2 Modular

Touch Surface ambient temp.:

30°C to 48°C

Working temp.:

-10°C to 70°C

Rated Load:

Inductive load

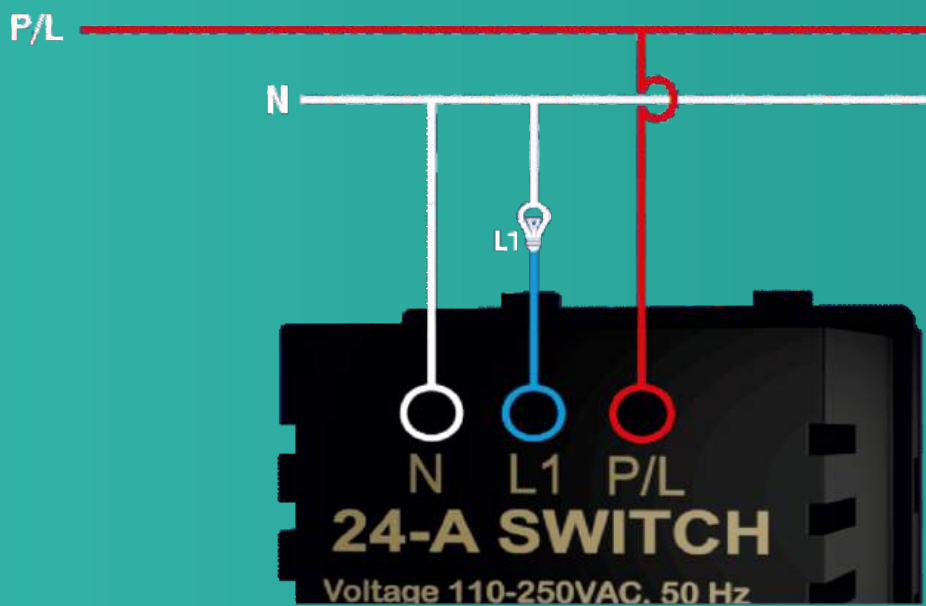
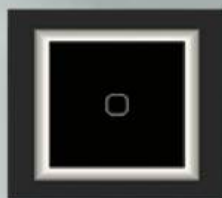
3500 w

Approximate Weight:

85gms

Maximum Dimension:

48mm*50mm*50mm



2 - WAY SWITCHES

TECHNICAL SPECIFICATION

Input Voltage:
230V~50/60Hz

Working temp.:
-10°C to 70°C

Wireless Type:
Wi-Fi 2.4Ghz
(Signal Strength $\geq 75\%$)

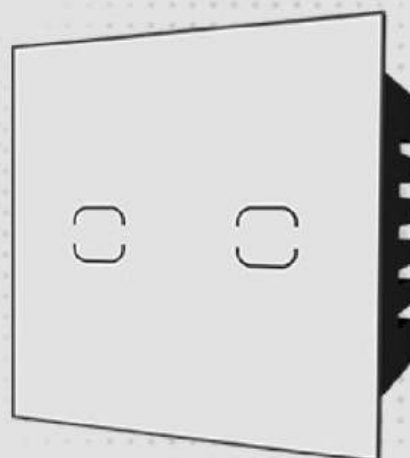
Rated Load:
Inductive load
450 w

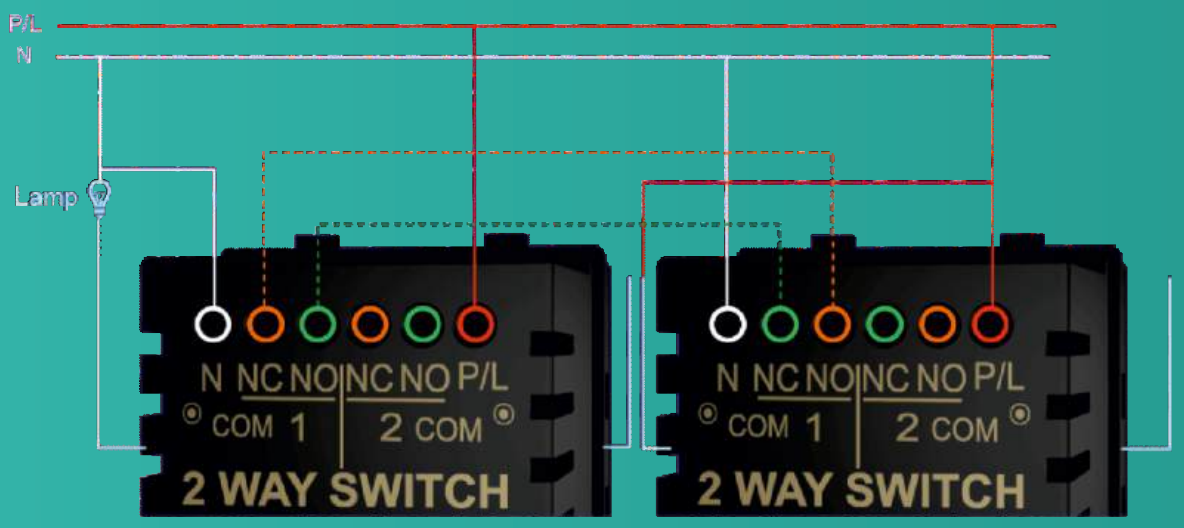
Size:
2 Modular

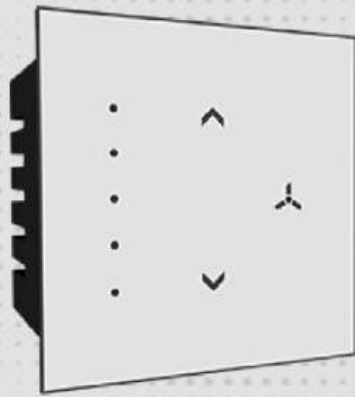
Approximate Weight:
85gms

Touch Surface ambient temp.:
30°C to 48°C

Maximum Dimension:
48mm*50mm*50mm







FAN REGULATOR

TECHNICAL SPECIFICATION

Input Voltage:

230V~50/60Hz

Wireless Type:

Wi-Fi 2.4Ghz

(Signal Strength $\geq 75\%$)

Size:

2 Modular

Touch Surface ambient temp.:

30°C to 48°C

Working temp.:

-10°C to 70°C

Rated Load:

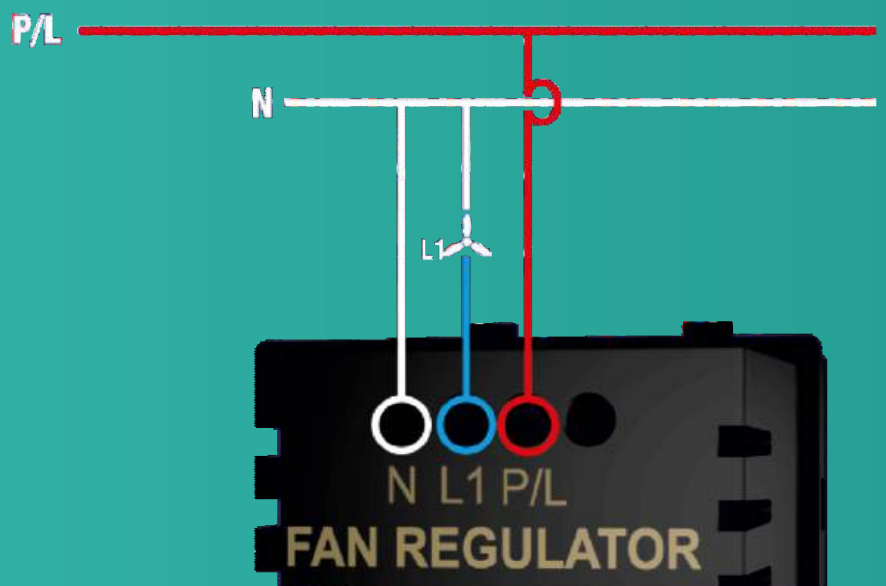
100w, Capacitor Based,
humming free

Approximate Weight:

85gms

Maximum Dimension:

48mm*50mm*50mm



CURTAIN CONTROL

TECHNICAL SPECIFICATION

Input Voltage:
230V~50/60Hz

Working temp.:
-10°C to 70°C

Wireless Type:
Wi-Fi 2.4Ghz
(Signal Strength $\geq 75\%$)

Rated Load:
Inductive load
200 w

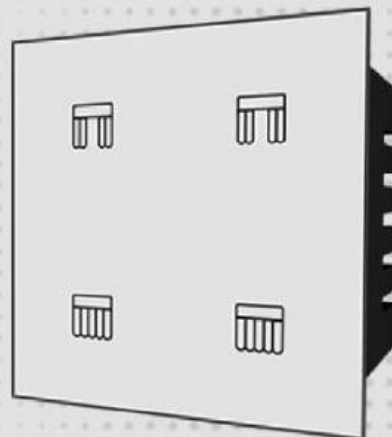
Size:
2 Modular

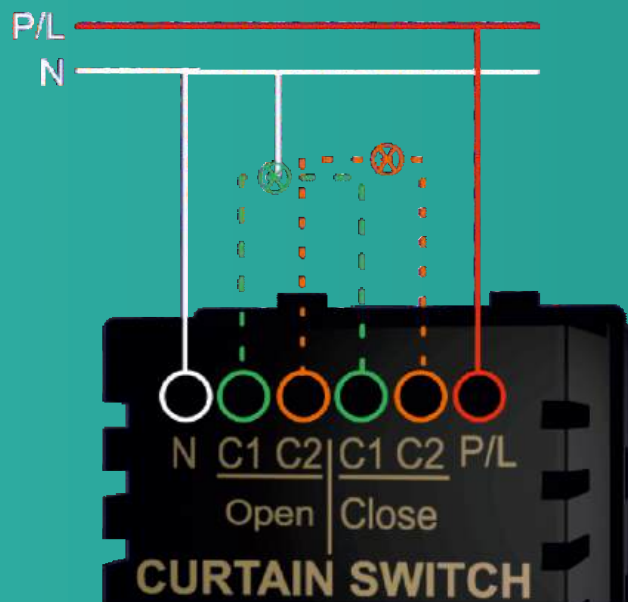
Approximate Weight:
85gms

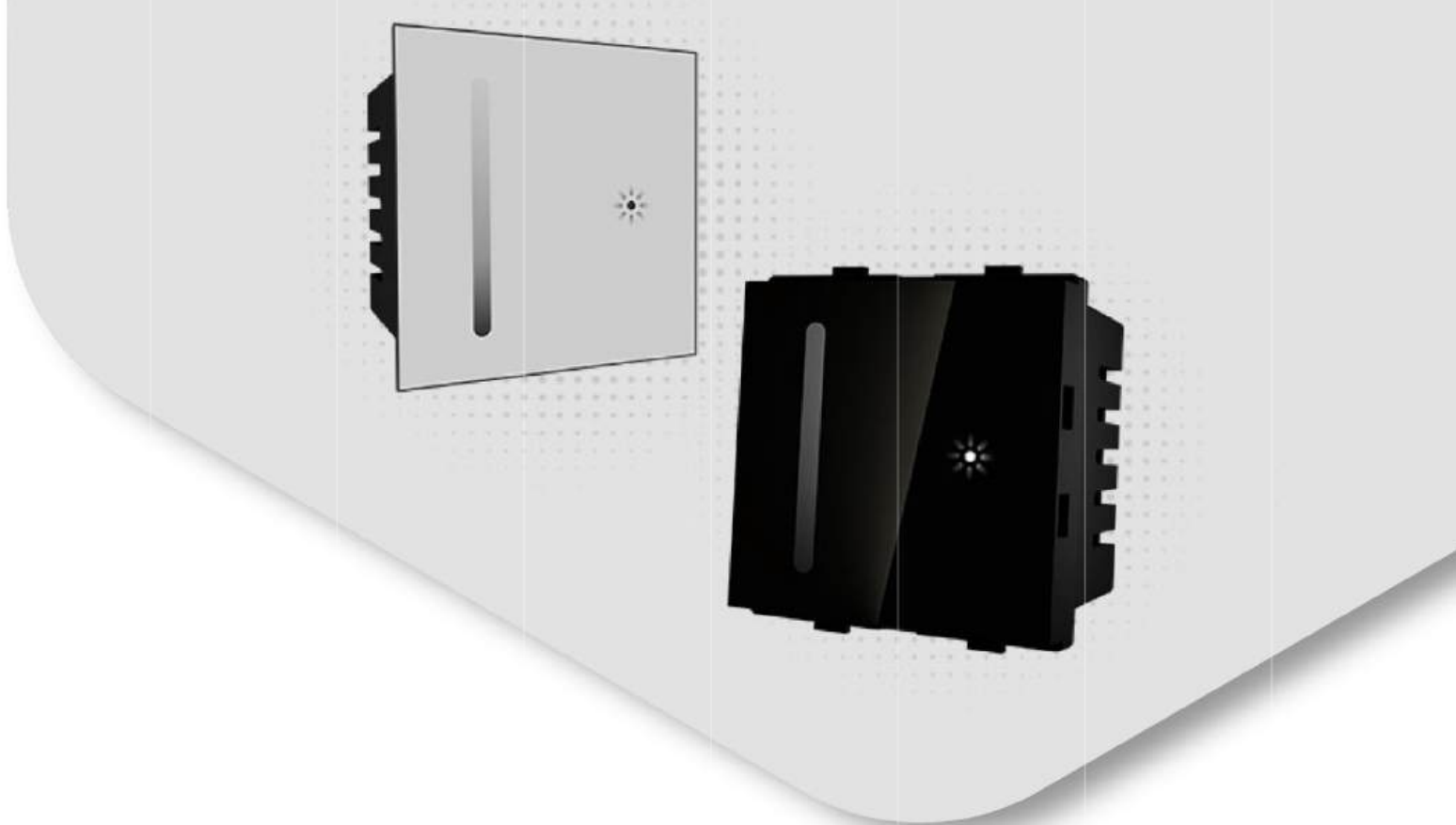
Touch Surface ambient temp.:
30°C to 48°C

Maximum Dimension:
48mm*50mm*50mm

Motor Type:
3 wire, 230vac







DIMMER SWITCH

TECHNICAL SPECIFICATION

Input Voltage:
230V~50/60Hz

Wireless Type:
Wi-Fi 2.4Ghz
(Signal Strength $\geq 75\%$)

Size:
2 Modular

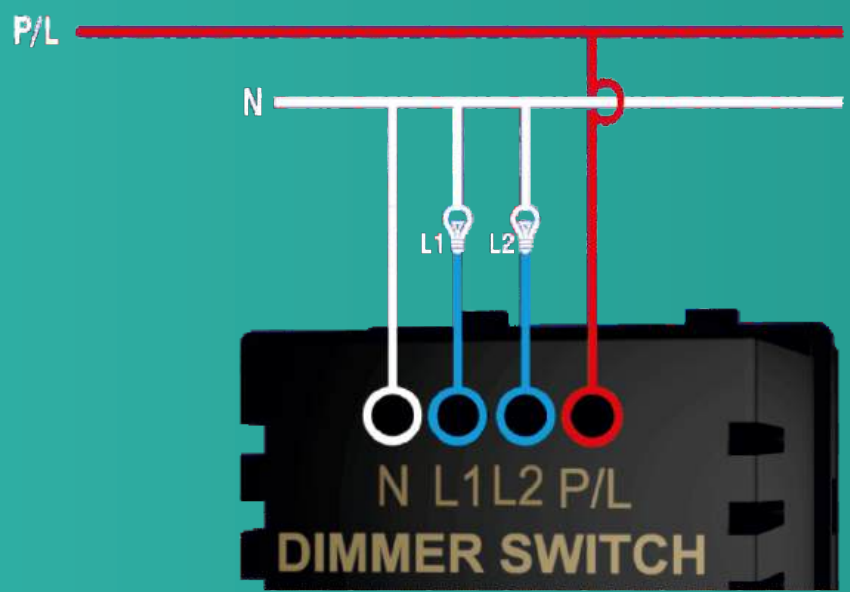
Touch Surface ambient temp.:
30°C to 48°C

Working temp.:
-10°C to 70°C

Rated Load:
160w, 880w per
terminal dimmable LED

Approximate Weight:
85gms

Maximum Dimension:
48mm*50mm*50mm



BELL SWITCH

TECHNICAL SPECIFICATION

Input Voltage:
230V~50/60Hz

Working temp.:
-10°C to 70°C

Maximum Dimension:
48mm*50mm*50mm

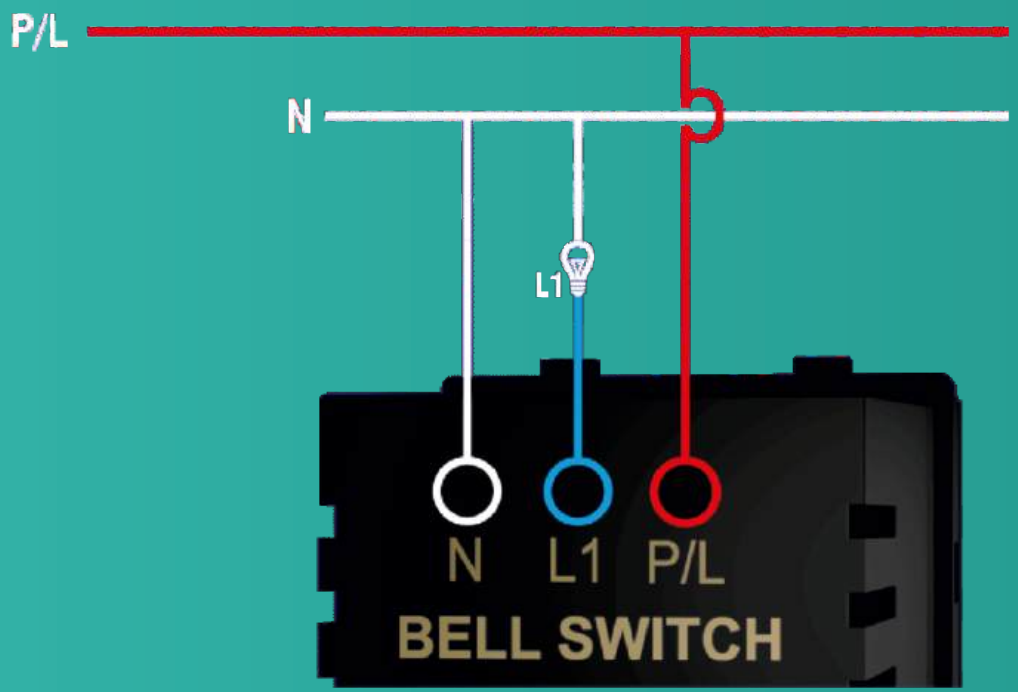
Rated Load:
200w

Size:
2 Modular

Approximate Weight:
85gms

Touch Surface ambient temp.:
30°C to 48°C





ARMET TOUCH FEATURES



Schedule

Weekly and Daily Scheduling, Facility allows you to turn ON/OFF your appliance automatically at scheduled time. For example if water supply comes at 6 AM you don't need to wake up at 6AM, it can be started automatically at 6 AM and stop let's say 6.30 AM stop



Scenario

Set scheduled/countdown timers to turn on/off at specified time and Share Control. Control your smart home together with your family. Unique group / Scene function. You can divide devices in different ds or rooms. Turn on /off all the devices in group by one button.



Multiusers

Control your smart home together with your family, All family members can control with their respective mobile phone using same login credentials . It provides notification Facility (When you are away, you can get notification if someone is witching On/Off your appliances at your home.)



Standard Modular Switch

Standard modular switches can be fit in any 51mm x 48mm standard existing modular switch plates. Modular nature of switches gives the user complete independence of choosing how many switches to change and in which fashion the switches are to be changed.



Control from Anywhere

Control anywhere to any time with your smart phone.



Single App Control

Multiple appliances control with mobile application

ARMET TOUCH FEATURES



Voice Controlled

Voice controlled with Alexa & Google



Easy installation

Easy installation of Armet Touch switch make's it flexible for everyone from user to electrician.



Home @ fingertips

Luxurious touch switches operated either with feather touch or with IR remote or mobile phone with IR transmitter makes the access to your home appliances convenient like never before .



Dual Color Backlit LED

Different colored indication LED makes it easy to locate switch state, light intensity, fan speed. LEDs make it easy to locate the switch in dark ambience.



Control from Anywhere

Armet Touch switches are provided with memory function to remember switch state in case of electricity failure. Memory function is easy to setup procedure by user. Memory function gives three options named on, off and auto



Easy installation in existing wiring

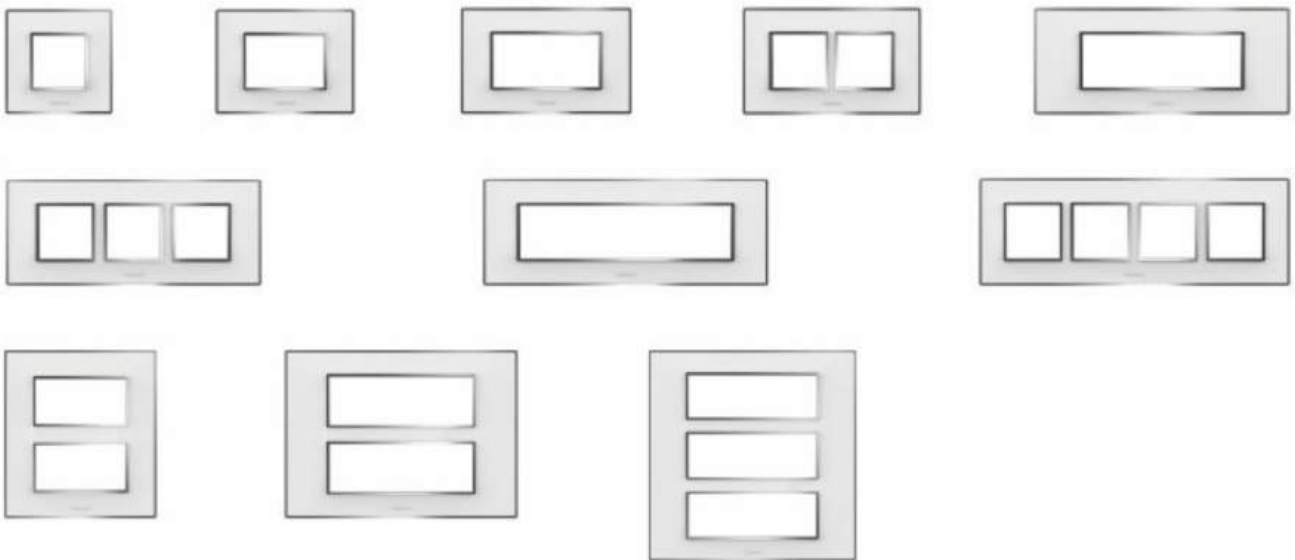
Armet Touch switches are completely compatible with existing wiring of residential and commercial real estate. No need to change your existing home/office wiring. Just get a Armet touch switch and install it with ease in your existing electrical environment.

Comparison of **SWITCH**

DESCRIPTION	WIRED AUTOMATION	NON TOUCH	TOUCH SWITCHES
TOUCH	PARTIALLY	✗	✓
WIFI (ANDROID / IOS)	✓	✓	✓
VOICE COMMAND	✓	✓	✓
EXISTING WIRING	✗	✓	✓
NORMAL CONFIGURATION	✗	✓	✓
LIVE STATUS SHOWS ON MANUAL OPTION	PARTIALLY	✗	✓
UNLIMITED INTEGRATION IN SINGLE APP	✓	✗	✓
ASTHETIC LOOK OF SMART SWITCH	✓	✗	✓
INDIAN MODULAR STANDARD	✗	✗	✓
ASTHETIC LOOK OF SMART SWITCH	✗	✓	✓

COMPATIBLE PLATES & ACCESSORIES

Our product can be compatible with Roma Classic, Roma Allure, Roma Vetro (Glass plate), Hifi, Wonder, Rider, Vinay Adora, Panama 1000+, Richard Royal Rika, Alemac, Aonn, Fybro, Parcos, Armour, Vihan Ever Vihan Forum, Viham Floyer, Vihan Flato, Sioma, Kolors, KBC Vouge, Kolors KBC Selett, Milltech, Pointer, Allwyn, Cona, Lisha, Netwit, Vankon, Red Card, Amaron, Vinayak, Maru Switches, Western Vintage, Western V-wood, Livon, Philcon, Litaski, Rapid electricals etc.



Criteria	4- Switch	15-A Switch	24-A Switch	2-way switch	Fan regulator	Doorbell	Dimmer	Curtain Switch
Voltage range	110-250 VAC 50/60HZ	110-250 VAC 50/60HZ	110-250 VAC 50/60HZ	110-250 VAC 50/60HZ	110-250 VAC 50/60HZ	110-250 VAC 50/60HZ	110-250 VAC 50/60HZ	110-250 VAC 50/60HZ
Ampere Capacity for BIS Certification	2A	15A	24A	2A	1A	2A	1A	2A
Rated load	Inductive Load:- 450W LED Lamp:-120W or 4nos(Which ever is higher)	Inductive Load:- 2000W	Inductive Load:- 3500W	Inductive Load:-450W	100W, Capacitor based Humming Free	200W	160W 80W Per Terminal Dimmable Driver LED	Inductive Load:-200W
Individual load control	4 nos	2 nos	1 nos	2 nos	1 nos	1 nos	2 nos	4 nos
Testing Switching cycle	1,00,000 Lakh Operation	1,00,000 Lakh Operation	1,00,000 Lakh Operation	1,00,000 Lakh Operation	1,00,000 Lakh Operation	1,00,000 Lakh Operation	1,00,000 Lakh Operation	1,00,000 Lakh Operation
working Temperature	-10°C to 70°C	-10°C to 70°C	-10°C to 70°C	-10°C to 70°C	-10°C to 70°C	-10°C to 70°C	-10°C to 70°C	-10°C to 70°C
Touch surface ambient temperature	30°C to 48°C	30°C to 48°C	30°C to 48°C	30°C to 48°C	30°C to 48°C	30°C to 48°C	30°C to 48°C	30°C to 48°C
Wireless type	Wi-Fi 2.4Ghz (single strength > 75%)	Wi-Fi 2.4Ghz (single strength > 75%)	Wi-Fi 2.4Ghz (single strength > 75%)	Wi-Fi 2.4Ghz (single strength > 75%)	Wi-Fi 2.4Ghz (single strength > 75%)	Wi-Fi 2.4Ghz (single strength > 75%)	Wi-Fi 2.4Ghz (single strength > 75%)	Wi-Fi 2.4Ghz (single strength > 75%)
App Support	Android/IOS (Smart Life)	Android/IOS (Smart Life)	Android/IOS (Smart Life)	Android/IOS (Smart Life)	Android/IOS (Smart Life)	Android/IOS (Smart Life)	Android/IOS (Smart Life)	Android/IOS (Smart Life)
Weight	60 gms	70 gms	70 gms	70 gms	70 gms	60 gms	70 gms	70 gms
size	2 Modular, 50 mm*48 mm*44 mm	2 Modular, 50 mm*48 mm*49 mm	2 Modular, 50 mm*48 mm*49 mm	2 Modular, 50 mm*48 mm*44 mm	2 Modular, 50 mm*48 mm*49 mm	2 Modular, 50 mm*48 mm*49 mm	2 Modular, 50 mm*48 mm*49 mm	2 Modular, 50 mm*48 mm*44 mm
Wiring diagram								



ARMET[®]
TOUCH WORLD

Registered Address

A-24, Rustomjee Riviera , Orlem, Malad (West),
Mumbai - 400 064. Maharashtra, India .

Factory Address

16, Jayesh Industrail Estate, Ramchandra Lane Ext, Kachpada,
Malad (West), Mumbai - 400 064. Maharashtra , INDIA.

Web : www.armetindustries.com

Email : kamlesh@armetindustries@gmail.com

Mob.: +91 9820073106 / 74106



Android



Apple



Google



Amazon
Alexa



Wi-Fi